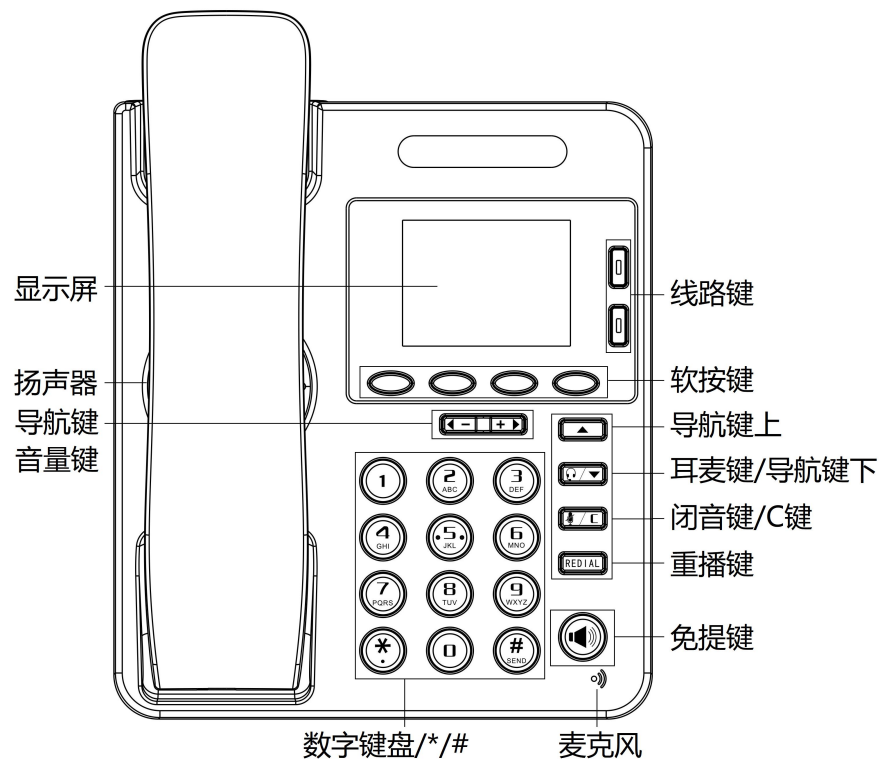


# ES270-PC 桌面型话机快速操作指南



## 状态灯

● 表 1 状态灯

线路 1 状态	描述
橙色常亮	空闲状态下有未接/前转/DND/留言/静音/未注册等

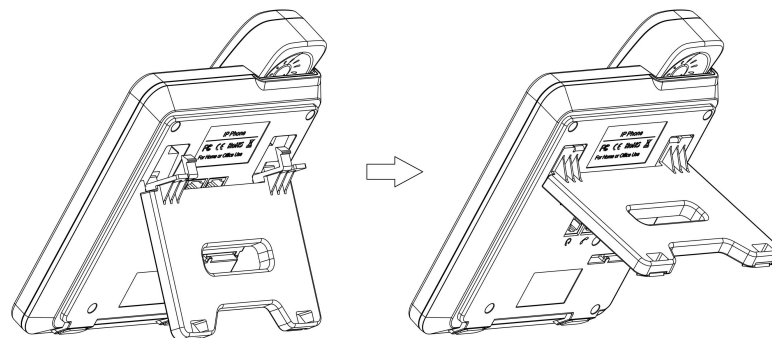
● 表 2 线路键状态

线路 1/2 灯状态	描述
红色闪烁	对应线路来电/对应线路保持中
红色常亮	摘机/拨号/对应线路通话中
无亮灯	对应线路空闲状态

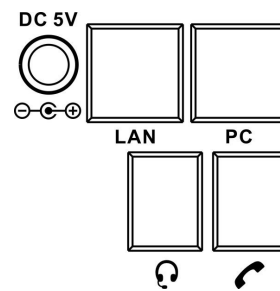
## 配件清单

列表	数量
话机	1
手柄	1
网线	1
快速操作指南	1
支架	1

## 安装支架



安装支架: 将支架的卡扣对准支架板下面两个卡口后, 手托住支架向上轻轻一推即可。(如上图)



- PC 口接电脑, LAN 口接外网, DC5V 接电源, RJ9 接耳麦, 接话机手柄。

## 网络设置

- 步骤为: 按话机上软按键菜单=> 系统设置=> 高级设置=>输入高级设置密码 (默认为空) => 网络=>LAN 口=>网络类型 (DHCP/静态 IP/PPPoE) =>进入=>保存=>确定 (重启生效)。  
有以下选项: 静态 IP、拨号 PPPoE、DHCP 自动获取  
选择静态 IP 后按导航键-下, 看到 IP 地址设置, 可对 IP 及网关等网络信息进行设置, 其中“.”请用键“\*”输入, 修改完后确定。  
选择 PPPoE 输入账号和密码后按保存=>确定 (重启生效)。  
选择 DHCP 不用设置 IP。

## 注册帐号

- 按话机上的菜单键菜单=> 系统设置=> 高级设置=>输入高级设置密码 (默认为空=> Sip 帐号=>账号 X (X-1, 2), 之后分别配置以下帐号参数: 帐号激活状态、标签、显示名、认证用户名、注册名、密码、SIP 服务器等
- 主 SIP 域名: 输入 SIP 服务器 IP (“.”请用键\*输入, 注意 IP 话机与 SIP 服务器间网络必须可达), 之后选取“保存”, 即可完成 SIP 账户的添加。

## 发起呼叫

您可以摘机或按下免提键或耳麦键来进行一个呼叫。

- 直接呼叫: 按下免提键或者摘下手柄直接拨打号码, 然后按#键或按发出软键;
- 重拨: 按重拨键以列出所有“已拨号码”, 可以有选择的拨打您需要拨出的号码;
- 从呼叫记录进行呼叫: 直接按“话单”或者在待机状态下按“下导航键”调出“未接来电”, 也可按左右导航键去选择“全部记录”、“已接号码”或“已拨号码”或者“前转来电”列表来选择一个号码, 再按“拨号”软键进行呼叫。

## 呼叫转移

实现来电前转、通话转移;

- 来电前转: 在来电振铃时, 按下前转同时拨出需要转移的目的号码, 本机直接挂机。
- 咨询转: 在通话中按下“转移”键, 听到拨号音, 此时拨打需要转移的目的号码, 等待对方振铃并接听起来话后再按“转移”键可实现转移。

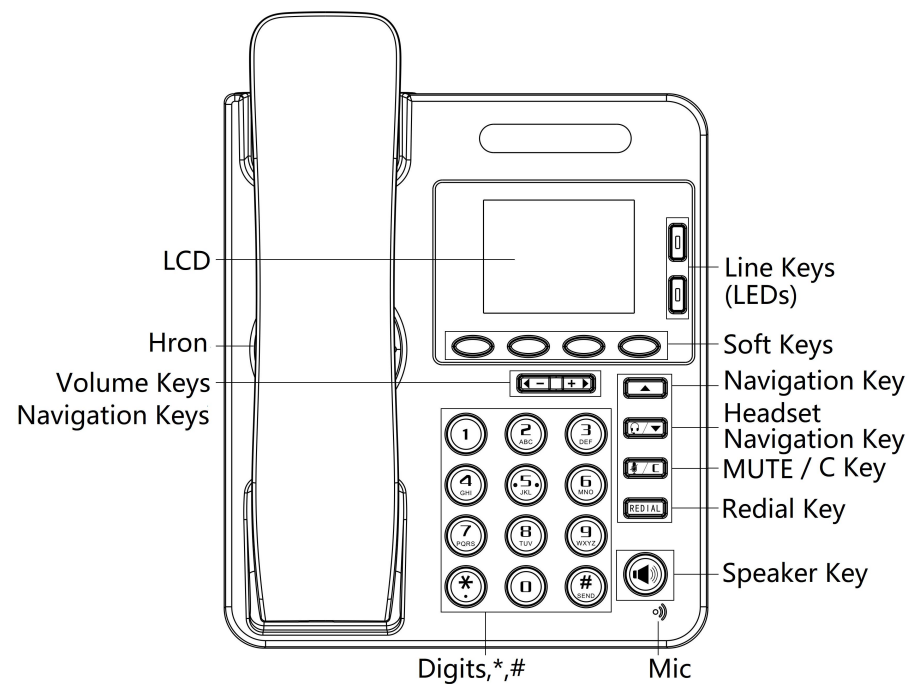
\*更多的详细内容以及话机配置信息请参考本话机的用户手册。您也可以访问话机的 Web 页面来进行更详细的参数配置, 在话机空闲时, 按 C 键查看话机的 IP 地址, 在电脑的浏览器中输入 IP 话机的地址, 输入话机的用户名、密码 (默认均为 root), 即可进入了 IP 话机的网页配置界面。



广州市亿景通信技术有限公司  
地址: 广州市天河区东圃镇黄村路 51 号粤安工业园 C 栋 4 楼  
网址: <http://www.escene.cn>  
客户服务: 4000502010

# ES270-PC DeskPhone

## Quick User Guide



### LEDs

#### Table 1 Light-strip

Line 1 Status	Description
Yellow steady	Under the idle status, the light will on when: Missed Call, Transfer, DND, Message, Mute, SIP-Unregistered.

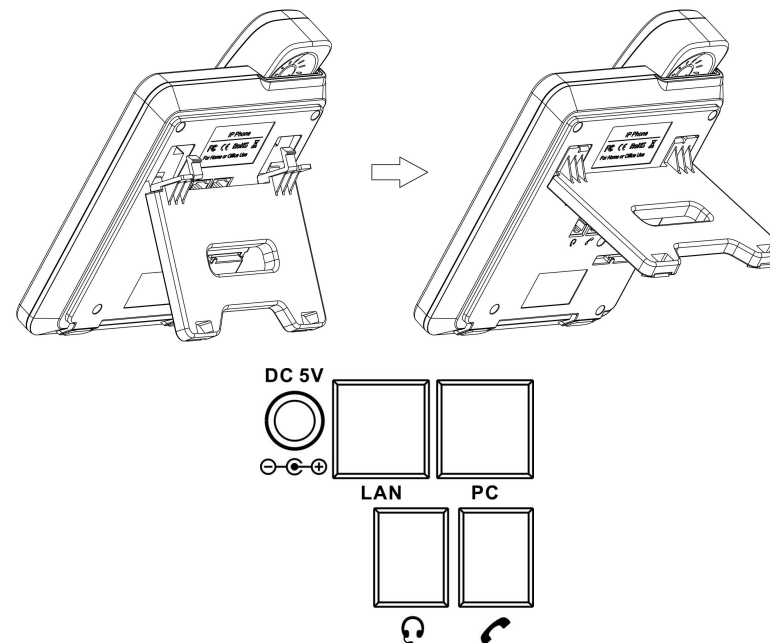
#### Table 2 Line keys

Line 1/2 LED Status	Description
Red, flashing	Incoming call;On hold
Red, steady	Pick up;On communication
Light off	Idle

### List Of Items

Name	Amount
IP Phone	1
Handset	1
Cable	1
Quick User Guide	1
Bracket	1

### Installation Bracket



- PC Port for Computer connection, LAN Port for Internet connection,
- DC5V connected power adapter, connected headset, connected handset.

### Network Settings

- Press the menu soft key on the phone **MENU=> System setting=> Advanced setting=>Enter Advanced Password** (Empty by default) => **Network => Enter LAN Port**  
Type has the following options : **STATIC**、**PPPoE**、**DHCP**  
Select **STATIC** and press Navigation key to see the IP address settings and set the IP and gateway and other related network information, including "." Use the key "\*" entry.  
Select **PPPoE** and insert username and password to register.  
Select **DHCP** without setting IP.  
NOTE: After changing the configuration, reboot for application.

### Register Account

Under the idle status, you can start to configure account by pressing **MENU** soft key => **System Setting => Advanced Setting=>type Advanced password** (it is idle by default) => **SIP Account**, the main parameters for 2 SIP accounts are needed to be set as follow:

- Enable Account:** Select Enable
- Account:** Insert your SIP account
- Authen User:** The authentication with the account
- User Pwd:** Insert your SIP password
- SIP Server:** Insert the SIP server IP address (you can insert "." by "\*" key, you must confirm the connection between the phone and SIP server), And then select Submit changes and press OK to submit the changes.

### Place a Call

You can pick up the handset or press **Speaker/Headset** key to place a call.

- Dial directly:** Dial number directly, then press # key or press soft-key (It will call from the first available line);
- Redial:** Press **Redial** key/soft-key to dial the latest number;
- Dial from Call history:** Press **Menu** key, select "Call history" and select one of "Missed calls", "Received calls" and "Dialed numbers" lists to dial by pressing **Dial** soft-key.

You can open Call history under idle status of phone by pressing corresponding **Soft key-Dir** or **Down key** under the idle. And then you can through the navigation key to select, "**Received Calls**" list, "**Missed Calls**" list, "**Dialed Calls**" list, "**Forwarded Calls**" list and "**All Calls**" list.

**\*This document introduces main function operation of IP phones only. For details (operation and configuration), refer to User Manual. And set details on the web page of phone. In the browser, input the IP phone's address and the phone's user name and password (default is root), and then login into the IP phone's web configuration interface.**



EScene COMMUNICATION CO.,LTD.

Web: <http://www.escene.cn/en>

Address: Floor 4 Building C YueAn Industrial Park No.51 Huangcun Road Tianhe District Guangzhou China